

Type _____

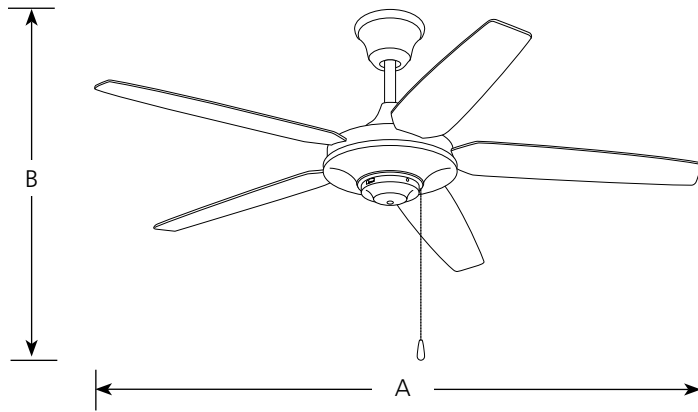
-09 -20 -30W
P2530

Finish

Catalog No	Finish			Dimensions (Inches)	
	Brushed Nickel	Antique Bronze	White	A	B
P2530	-09	-20	-30W	54	15-1/8

Blades

Side 1	Silver	Medium Cherry	White
Side 2	Natural Cherry	Classic Walnut	White



ENERGYGUIDE

Estimated
Yearly Energy Cost

\$11

Cost Range of Similar Models (19" - 84")

Based on 12 cents per kWh and 6.4 hours use per day
Your cost depends on rates and use
Energy Use: 39 Watts

Airflow

3,318

Cubic Feet Per Minute

The higher the airflow, the more air the fan will move
Airflow Efficiency: 84 Cubic Feet Per Minute Per Watt

All estimates based on national data available to date

Fan on included 6" downrod.

Specifications:

General

- 30 year limited warranty

Blades

- Five blades
- Reversible
- 12 degree pitch
- Sure Connect blade attachment system
 - Screws preinstalled in blades for attachment to motor arms
 - Special guides align blades to motor arms
 - Preinstalled rubber isolation pads minimize vibration noise

Motor

- Triple capacitor speed control; manual reverse control
- 153mm dia x 18mm high
- Pull chain on brushed nickel (-09) is chrome with a maple fob, antique brass (-20) is oxide with a walnut fob, and white (-30W) has

antique chrome chain with white fob
Mounting

- Quick Install canopy
- Installs without removing J-box screws
- Holds fan for wiring during installation
- Downrod mounting
- A 1"x 6" downrod is included. Longer accessory downrods can be ordered separately
- Standard canopy designed for sloped ceilings up to 45 degrees (12:12 ceiling pitch) using downrod supplied or accessory downrods
- Oversized, textured die cast hanger ball reduces noise and wobble vibrations
- Canopy covers standard recessed 4" octagonal outlet box. Note: An outlet box assembly designed for fan installation is required (not included)

• Mounting hardware is included

Electrical

- 80" lead wires included
- Light fixture adaptable

• Pre-wired

Labeling

- UL/CUL listed

ENERGY INFORMATION AT HIGH SPEED

AIRFLOW: 4716 CFM cubic feet per minute

ELECTRICITY USE: 65 watts (excludes lights)

AIRFLOW EFFICIENCY: 73 cubic feet per minute per watt

Progress Lighting
701 Millennium Blvd.
Greenville, South Carolina
29607